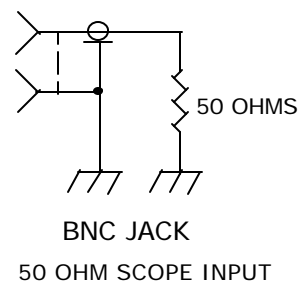
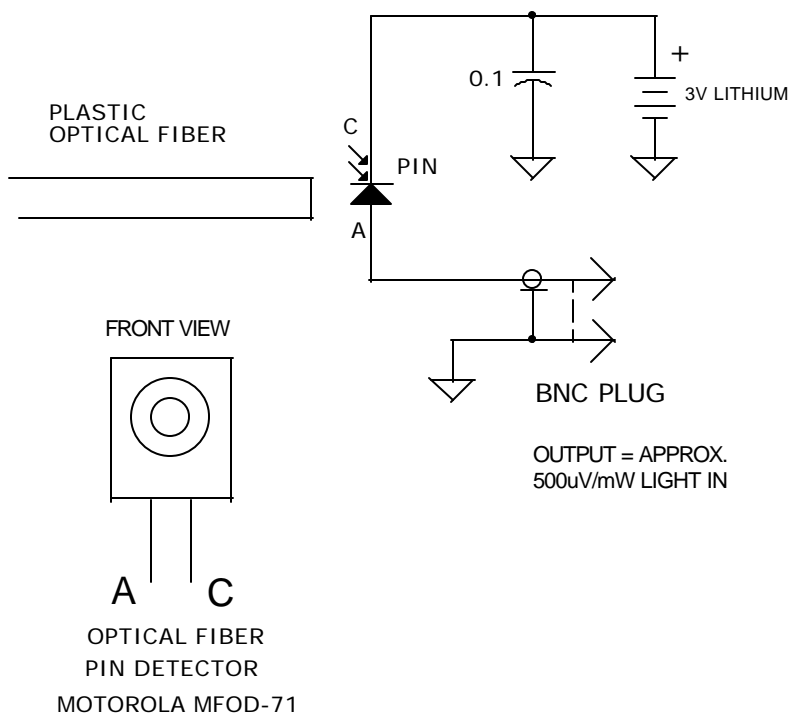


CIRCUIT DRAWS ZERO CURRENT
WHEN NOT CONNECTED TO SCOPE

CIRCUIT DRAWS NEAR ZERO CURRENT WHEN NO
LIGHT COLLECTED BY OPTICAL FIBER PROBE



DRAWN BY: DAVE JOHNSON

50MHz BANDWIDTH LIGHT PROBE

DAVID JOHNSON AND ASSOCIATES		
50MHz FIBER OPTIC LIGHT PROBE		
Size A	Document Number 50MRVR1.DSN	Rev A
Date: Sunday, June 04, 2000	Sheet 1	of 1